

Technical data sheet



Product features

Cooking range solid top gas with static electric oven GN 2/1 - 3x burner

Model	SAP Code	00018742
--------------	-----------------	----------



- Device type: Combined unit
- Ignition: Piezo+večný plamen
- Protection of controls: IPX4
- Material: Stainless steel

SAP Code	00018742	Loading	400 V / 3N - 50 Hz
Net Width [mm]	800	Power gas [kW]	25.400
Net Depth [mm]	700	Type of gas	Natural gas, propane butane
Net Height [mm]	900	Width of internal part [mm]	657
Net Weight [kg]	135.00	Depth of internal part [mm]	558
Power electric [kW]	6.300	Height of internal part [mm]	335

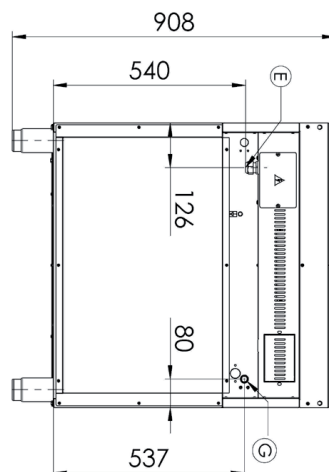
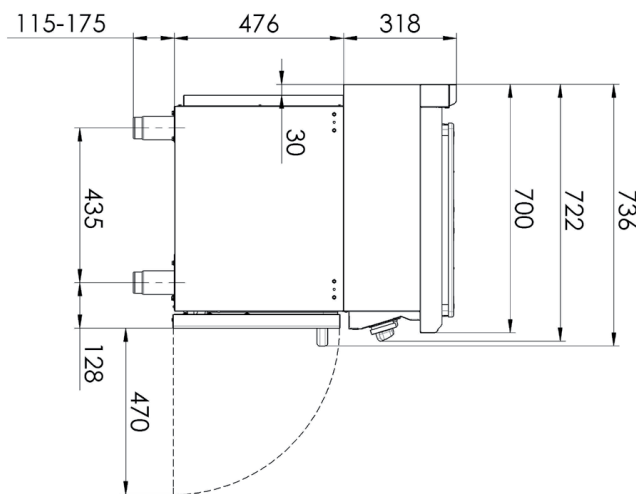
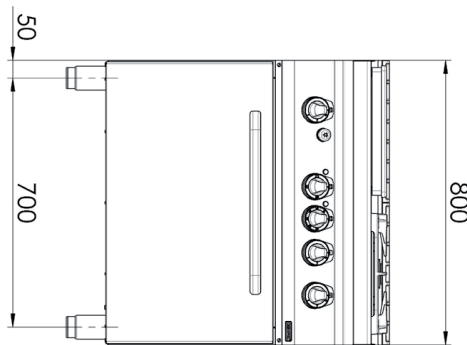
Technical data sheet



Technical drawing

Cooking range solid top gas with static electric oven GN 2/1 - 3x burner

Model	SAP Code	00018742
--------------	-----------------	----------



Technical data sheet



Technical parameters

Cooking range solid top gas with static electric oven GN 2/1 - 3x burner

Model

SAP Code

00018742

1. SAP Code:

00018742

2. Net Width [mm]:

800

3. Net Depth [mm]:

700

4. Net Height [mm]:

900

5. Net Weight [kg]:

135.00

6. Gross Width [mm]:

840

7. Gross depth [mm]:

800

8. Gross Height [mm]:

975

9. Gross Weight [kg]:

135.00

10. Device type:

Combined unit

11. Construction type of device:

With substructure

12. Power electric [kW]:

6.300

13. Loading:

400 V / 3N - 50 Hz

14. Power gas [kW]:

25.400

15. Ignition:

Piezo+večný plamen

16. Type of gas:

Natural gas, propane butane

17. Protection of controls:

IPX4

18. Material:

Stainless steel

19. Indicators:

operation and warm-up

20. Worktop material:

AISI 304

21. Worktop Thickness [mm]:

1.20

22. Number of power control stages:

6

23. Safety thermocouple:

Yes

24. Safety thermostat:

Yes

25. Safety thermostat up to x ° C:

360

26. Number of burners/hot plates:

3

27. Type of gas cooking zones:

Fire protection to install + Classic burners

28. Burner type:

Brass, detachable

Technical data sheet



Technical parameters

Cooking range solid top gas with static electric oven GN 2/1 - 3x burner

Model

SAP Code

00018742

29. Oven Type:

electrical static

34. Height of internal part [mm]:

335

30. Oven size:

GN 2/1

35. Maximum temperature of the inner chamber [°C]:

300

31. Oven material:

Stainless steel

36. Minimum temperature of the inner chamber [°C]:

50

32. Width of internal part [mm]:

657

37. Connection to a ball valve:

1/2

33. Depth of internal part [mm]:

558